



- Part No: CXS1-XXXXXXXX-AXXXBC12, eg. CXS1-008000000-A125BC12
- Used for Quartz Clock, Time-Counter in Computer, Monitor System in Airplane, Train etc
- Low Cost and High Stability

PARAMETERS:

ITEM	MIN	MAX	UNIT
Frequency Range	3.5	60.000	MHz
Vibration Mode	AT-Cut, fundamental, 3rd		
Frequency Tolerance @ 25°C ±2°C	±10	±50	ppm
Operation Temperature	-20°C ~ +70°C		
Frequency Stability	±30 (-10°C ~ +60°C)		ppm
Store Temperature	-40 ~ +85°C		
Resonance resistance	30	150	Ω
Shunt Capacitance	7 (max)		PF
Drive Level	100		μW
Load Capacitance	12 ~ 50PF or Series		PF
Insulation Resistance	500MΩ / DC: 100 ± 15V		

Figure:



Dimension: Unit: mm

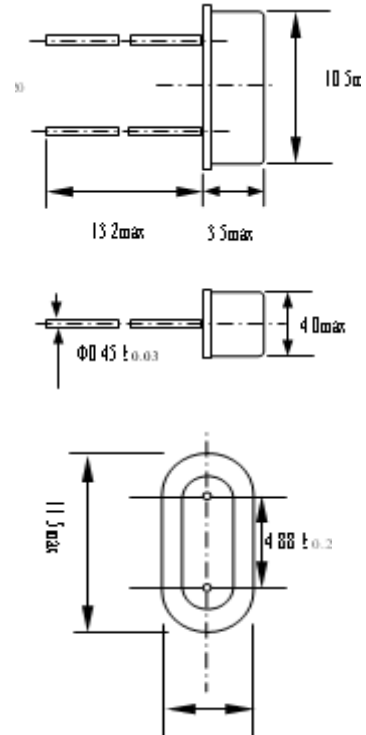


Table1: resonance resistance

FREQUENCY RANGE/MHz	vibration	Rr (Ω)
3.2 ~ 3.99MHz	Fund	150
4.0 ~ 4.99MHz	Fund	120
5.0 ~ 5.99MHz	Fund	100
6.0 ~ 6.99MHz	Fund	80
7.0 ~ 7.99MHz	Fund	60
4.5 ~ 5.0MHz	Fund	60
10.0 ~ 13.99MHz	Fund	50
14.0 ~ 19.99MHz	Fund	40
20.0 ~ 40.0MHz	Fund	25
25.0 ~ 40.0MHz	3rd Overtone	100
40.0 ~ 100.0MHz	5rd Overtone	80

Table 2: Operation Temperature and Tolerance

Temperature Range	Frequency Stability	
	MIN	MAX
0°C ~ +50°C	±2.5PPM	±100PPM
-10°C ~ +60°C	±10PPM	±100PPM
-20°C ~ +70°C	±10PPM	±100PPM
-30°C ~ +80°C	±15PPM	±100PPM
-40°C ~ +85°C	±20PPM	±100PPM

Application Chart:

